

MOLD TEMPERATURE CONTROLLERS

Superior Temperature Control

world of innovation



Tempro plus D

Touch-screen series for perfect quality

Latest design technology and operation ...

In pressurized operation, a gauge ensures that the internal pressure is always 1 bar min. over the steam pressure curve.

Because of the smaller heat exchanger there is less circulating water. As a result, the preheating time and the cool down period have been reduced.

Booster pump (for filling under pressure at temperatures of more than 100 °C)

Touch-screen display, 5.7", Windows CE

Heat exchanger made of stainless steel (Incoloy heating element)

Pump and system pressure gauges

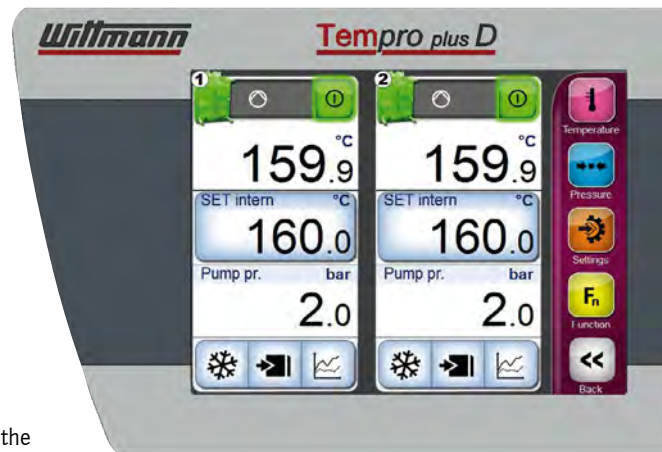
Maintenance free magnetically coupled pump (standard in the Tempro plus D100 to 180)

Heating control via solid state relay



Optimum visibility and operation of the Tempro plus D

- » **Touch-screen**
The actual value and set point are displayed simultaneously.
- » **Visual temperature control**
The mold symbol color indicates if the temperature is in the tolerance band (green: within tolerance; red: too hot; blue: too cold).
- » **Additional information on the display**
The operator can choose an additional value to be displayed on the screen (pressure, flow).
- » **Easy operation with the Tempro plus D**
Menus to adjust values and to choose operating modes can be selected with color touch-screen.
- » **Quick selection**
Operating modes that are used frequently can be selected using the touch fields at the bottom of the screen.



Standard equipment for the Tempro plus D series

- » Microprocessor controller with ± 0.2 °C accuracy.
- » Automatic filling and constant pressure monitoring.
- » Pressure gauges (system and pump pressures).
- » Automatic pump rotation detection.
- » Maximum temperature monitoring.
- » Heater control with solid state relay.
- » Pumps safe to run dry.
- » Backflow sensor.
- » Sensor break monitoring.
- » Line evacuating for mold changing
- » Wittmann 4.0 interface.
- » Air purging (unlimited mold purge for pressure units).
- » Timer (time switch).
- » Audible alarm.
- » Operating hours counter/service interval indicator.
- » **Options**
 - Flow control and measurement.
 - Communications/Ethernet interfaces.
 - Mold sensor FeCo socket.

Tempro plus D90

wittmann

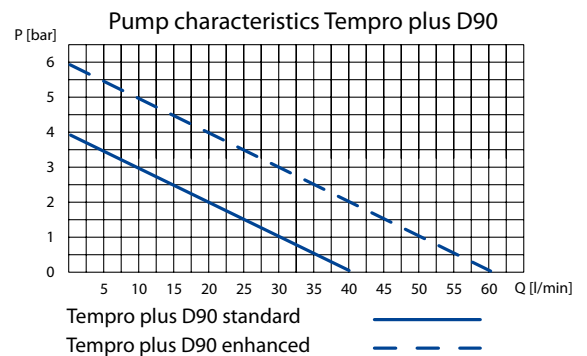
Circulating water single and dual zone units

Tempro plus D90 for temperatures up to 90 °C.
Open system with powerful, submersible pumps without pump seals.

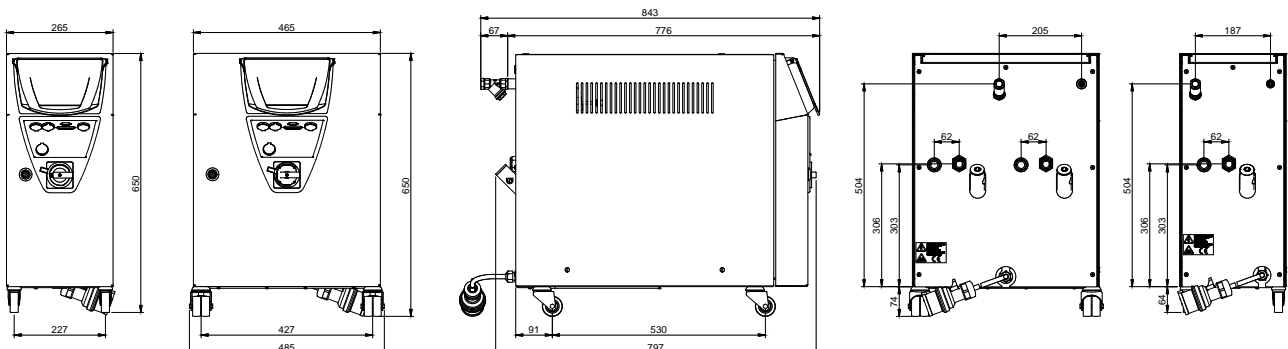
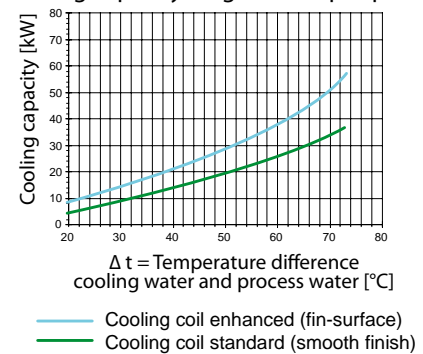
Equipment	
Tempro plus D	90
Self-optimizing temperature control via microprocessor	•
Maximum temperature monitoring	•
Sensor break monitoring	•
Automatic filling with leakage and pressure monitoring	•
Automatic pump rotation direction detection	•
Audible alarm	•
Dry contact for alarm output	◦
Connectors for external sensors PT 100	◦
Connector for external mold sensor FeCo Type J	◦
Leakstop function	•
Mold purging via pump (max. 3 l)	•
Enhanced pump	◦
Pressure measuring (pump, and flow pressure)	•
Flow measuring vortex	◦
Serial/analog interface (RS 232, RS 485, 20 mA, CAN, SPI)	◦
WITTMANN 4.0 interface	•
Operating hour counter/clock timer/service monitoring	•

- Standard equipment
- Optional equipment

Technical data	
Tempro plus D90	
Heating capacity	9 kW (option: 12 kW)
Pump capacity (50 Hz) standard	0.5 kW, max. 3.8 bar max. 40 l/min
Pump capacity (50 Hz) enhanced	1 kW, max. 5.8 bar max. 60 l/min
Cooling water connection	G 1/4" + G 3/8"
Mold connection	G 3/4"
Power supply	standard 3 x 380 - 415 V/50 Hz



Cooling capacity diagram Tempro plus D90



Tempro plus D100/120/140/160/180

Pressure units

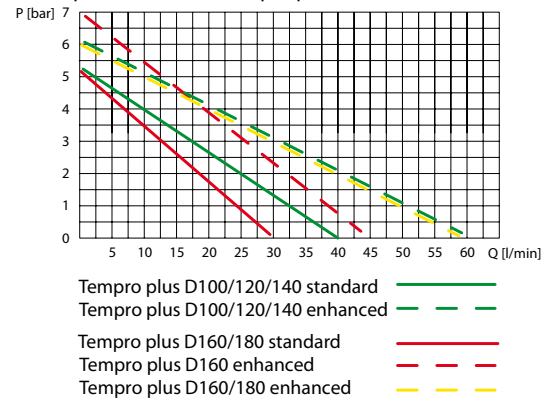
Circulating water single and dual zone units. Pressurized system with powerful pumps and magnetically coupled pumps for graduated temperature ranges.

Equipment	100	120	140	160	180
Tempro plus D					
Self-optimizing temperature control via microprocessor	•	•	•	•	•
Cooling [1 = indirect; 2 = direct]	• ¹	• ²	• ¹	• ¹	• ¹
Maximum temperature monitoring	•	•	•	•	•
Sensor break monitoring	•	•	•	•	•
Automatic filling with leakage and pressure monitoring	•	•	•	•	•
Automatic pump rotation direction detection	•	•	•	•	•
Audible alarm	•	•	•	•	•
Dry contact for alarm output	○	○	○	○	○
Connectors for external sensors PT 100	○	○	○	○	○
Connector for external mold sensor FeCo Type J	○	○	○	○	○
Leakstop function	○	○	○	○	-
Dirt pan	•	•	•	•	•
Mold purging via pump (unlimited)	•	•	•	•	•
Enhanced pump, magnetically coupled	○	○	○	○	○
Pressure measuring (system, pump, and flow pressure)	•	•	•	•	•
Flow measuring: Vortex (D100, D120)/ ultrasonic	○	○	○	○	○
Boost pump [1 = two pumps]	-	-	•	•	• ¹
Ser. interface (RS 232, RS 485, 20 mA, CAN, SPI); E821; OPC UA	○	○	○	○	○
WITTMANN 4.0 interface	•	•	•	•	•
Variotherm tempering (on request)	-	-	-	-	○

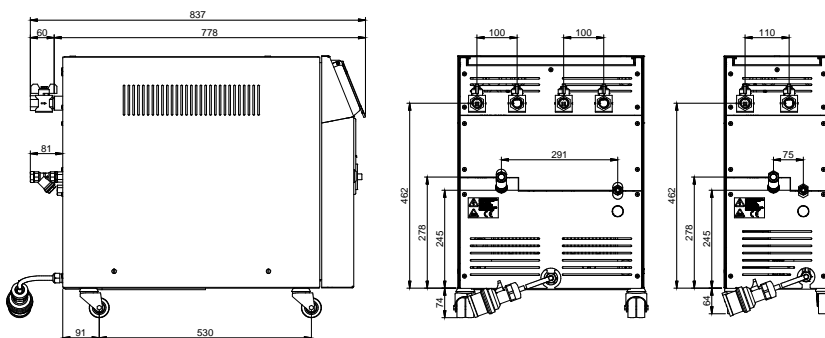
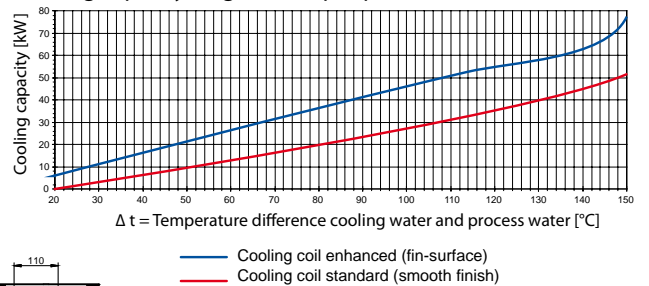


Technical data	100/120/140	160/180
Heating capacity	9 kW (option: 12/16 kW)	
Pump capacity (50 Hz) standard	magnetically coupled 0.5 kW, max. 4.5 bar max. 40 l/min	magnetically coupled 0.5 kW, max. 5 bar max. 30 l/min
Pump capacity (50 Hz) enhanced	magnetically coupled, 1 kW, max. 6 bar max. 60 l/min	
Speed-controlled pump	1.1 kW, max. 9 bar max. 50 l/min	
Cooling water connection	G 3/8"	
Mold connection	G 3/4"	
Power supply	standard 3 x 380 - 415 V/50 Hz	

Pump characteristics Tempro plus D100/120/140/160/180



Cooling capacity diagram Tempro plus D100/120/140/160/180



- Standard equipment
- Optional equipment
- no supply for this model

Tempro plus D Micro

Compact dual zone temperature controller

Wittmann

Pressurized water temperature controller

With powerful pumps, direct heating, indirect or direct cooling and supply temperatures of up to 160 °C as dual zone units.

Equipment	100	140	160
Tempro plus D Micro			
Touch-screen with set and actual temperature indication	•	•	•
Leakage, water level and pressure control	•	•	•
Self-optimizing temperature control via microprocessor (± 0.2 °C)	•	•	•
Heater control via solid state relay	•	•	•
External sensor socket for PT 100 thermocouple	•	•	•
Mold purging via pump	•	•	•
Dry contact for alarm output	◦	◦	◦
Flow measurement (optional)	◦	◦	◦
Connector FeCo (optional)	◦	◦	◦
Dirt pan for mold circuit (optional)	◦	◦	◦
Wittmann 4.0 interface	•	•	•
Analog/digital interface	◦	◦	◦

- Standard equipment
- Optional equipment

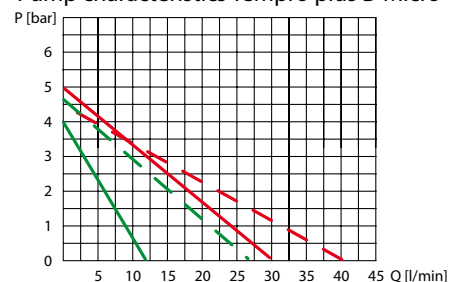
Tempro plus D Micro: 100 °C/140 °C/160 °C (Flow temp. max.)

Tempro plus D Micro - dual zone units - specifications/zone

Heating capacity (415 V)	1, 4,5 or 6 kW
Pump capacity (50 Hz)	0.25-0.5 kW
Pump pressure (50 Hz)	4.5-5 bar
Pump flow (50 Hz)	11-40 l/min
Internal water volume	1 l
Mold connection	3/8"
Cooling connection	3/8"
Weight	72-75 kg
Power supply	standard 3 x 380 - 415 V/50 Hz

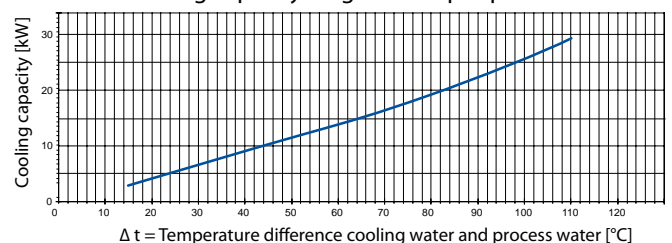


Pump characteristics Tempro plus D Micro

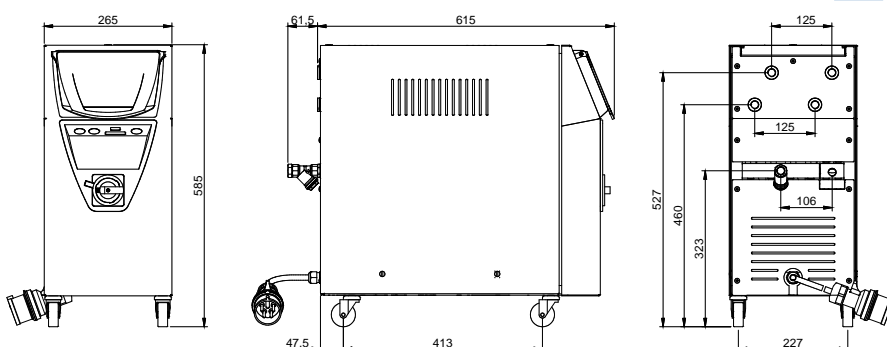


- Tempro plus D100 Micro standard ———
- Tempro plus D100 Micro enhanced - - -
- Tempro plus D140 Micro standard ———
- Tempro plus D160 Micro standard - - -

Cooling capacity diagram Tempro plus D Micro



— Tempro plus D100/D140/D160 Micro (smooth finish)



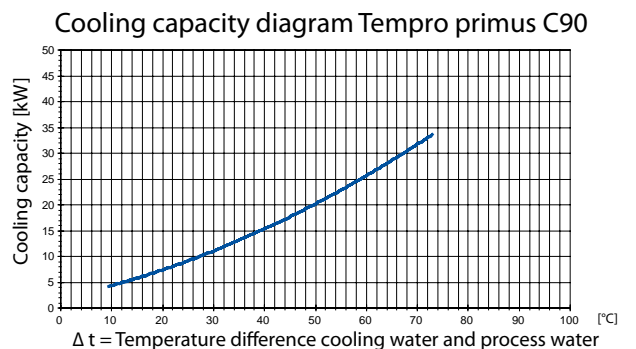
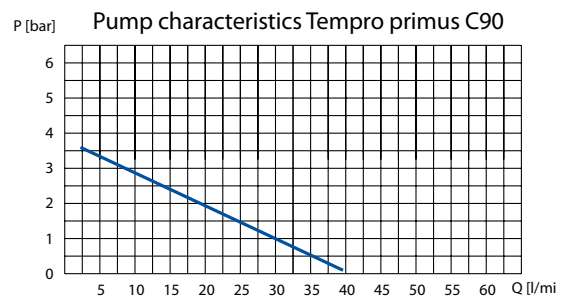
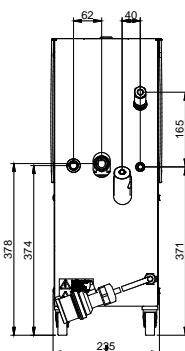
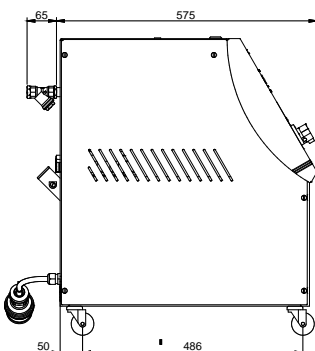
Tempro primus C90

- » **The economic solution**
The ideal temperature controller for any application requiring exact temperature control and high user-friendliness, however without additional functions such as direct cooling.
- » **Tempro primus C90**
Single zone temperature controller up to 90 °C. Standard features include air purging for mold changes.

Equipment	
Tempro primus C90	
Self-optimizing temperature control via microprocessor	•
Maximum temperature monitoring	•
Sensor break monitoring	•
Automator filling with leakage monitoring and level control	•
Leakstop function possible through modification	•
Mold purging via pump	•
Manual filling	•
Operating hour counter/service monitoring	•
Horn	•

- Standard equipment
- Optional equipment

Technical data	
Tempro primus C90	
Heating capacity	9 kW
Pump capacity (50 Hz) standard	0.5 kW, max. 3.5 bar, max. 40 l/min
Cooling water connection	G 1 1/4"
Mold connection	G 3/4" / G 1/2"
Power supply	standard 3 x 380 - 415 V/50 Hz



Tempro basic C90/basic C140

Wittmann

- » **The economic solution**
The ideal device for any application requiring exact temperature control and high user-friendliness, however without additional functions such as direct cooling.
- » **Tempro basic C90**
One circuit temperature controller for temperatures up to 90 °C equipped with a self-optimizing microprocessor controller (± 1 °C). Standard with leakstop function and pump switch for mold purging when changing the mold.
- » **Tempro basic C140**
Single zone unit with pressurized system for temperatures up to 140 °C. The economic temperature controller for precise temperature control up to 140 °C.

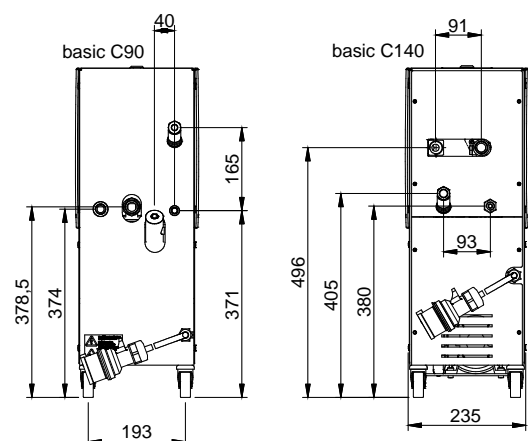
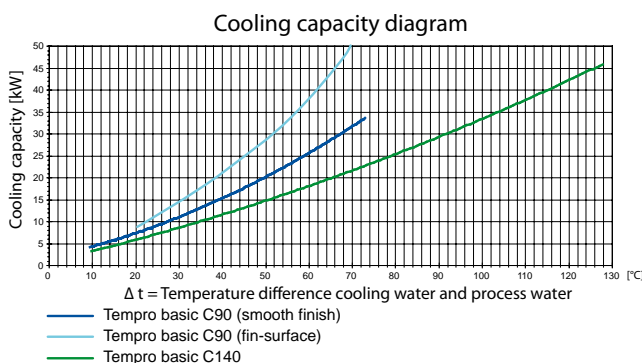
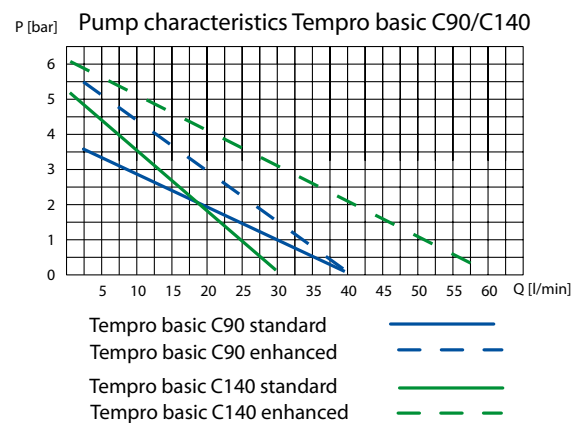
Equipment		
Tempro	basic C90	basic C140
Self-optimizing temperature control via microprocessor	•	•
Maximum temperature monitoring	•	•
Sensor break monitoring	•	•
Automator filling with leakage monitoring and level control	•	•
Dry contact for alarm output	◦	◦
Connectors for external sensors PT 100	◦	◦
Leakstop function	•	•
Mold purging via pump	•	•
Reinforced pump	◦	◦
Manual filling	•	–
Pressure gauge/flow indication	◦	◦
Serial interface (RS 232, RS 485, 20 mA)	◦	◦
Analog interface (4–20 mA / 0–10 V)	◦	◦
Operating hour counter/Service monitoring	•	•
Horn	•	•

Technical data		
Tempro	basic C90	basic C140
Heating capacity	9 kW (opt. 12 kW)	
Pump capacity (50 Hz) standard	0.5 kW, max. 3.5 bar max. 40 l/min	0.5 kW, max. 5 bar max. 30 l/min
Pump capacity (50 Hz) enhanced	0.75 kW, max. 5.5 bar max. 40 l/min	0.75 kW, max. 6 bar max. 60 l/min
Cooling water connection	G 1/4"	G 3/8"
Mold connection	G 3/4" / G 1/2"	G 3/4"
Power supply	standard 3 x 380 – 415 V/50 Hz	



Tempro basic C90

- Standard equipment
- Optional equipment
- no supply for this model



Tempro primus C120/basic C120M/basic L120

- » The **Tempro primus C120** is used for temperatures up to 120 °C. Due to direct injection of the cooling water, it is providing an exceptionally high cooling capacity.
- » The **Tempro basic C120** was designed for the special requirements of specific applications. It is equipped with radial pumps for high flow volumes at different pressure ranges: an economic series with high user-friendliness and an extensive equipment range for every application.

Equipment			
Tempro	primus C120	basic	
		C120M	L120
Self-optimizing temperature control via microprocessor	•	•	•
Maximum temperature monitoring	•	•	•
Sensor break monitoring	•	•	•
Automator filling with pressure monitoring	•	•	•
Dry contact for alarm output + audible alarm	-	◦	◦
Connector for external sensor PT 100	-	◦	◦
Mold purging through pressurized air	-	◦	◦
Enhanced pump	-	◦	◦
Manometer in supply and return flow (glycerin)	•	•	•
Serial interface (RS 232, RS 485, 20 mA)	-	◦	◦
Analog interface (4-20 mA / 0-10 V)	-	◦	◦
Operating hour counter/Service monitoring	•	•	•
Horn	•	•	•
Bypass including release valve for pump advance	•	•	•
Options: cooling valves	-	G 1/2"	G 3/4", G 1"
Flow measurement vortex	-	◦	◦
Connecting cable for data transfer	-	◦	◦



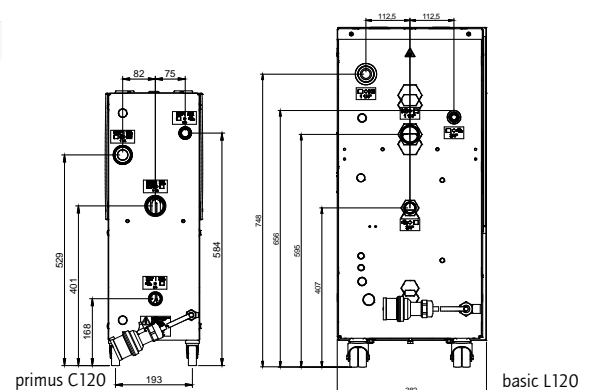
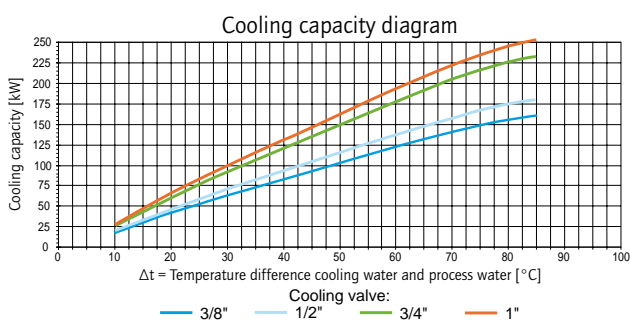
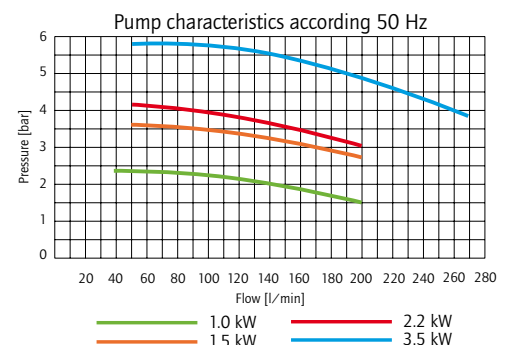
Tempro primus C120

- Standard-equipment
- Optional equipment
- no supply for this model



Tempro basic L120

Technical data			
Tempro	primus C120	basic C120-M	basic L120
Heating capacity	9kW	9 kW (opt. 18 kW)	18 kW (opt. 24/36 kW)
Pump capacity standard	0.5 kW, max. 2.0 bar max. 200 l/min	1.0 kW, max. 2.35 bar max. 200 l/min	1.5 kW, 3.65 bar 200 l/min
Pump capacity enhanced (max. bar/max. l/min)	-	1.5 kW, 3.65 bar 200 l/min	2.2 kW, 4.2 bar, 200 l/min 3.5 kW, 5.9 bar, 280 l/min
Dimensions (w/h/d)	245 x 690 x 620		340 x 780 x 700
Cooling water connect.	G 3/4"		
Mold connection	G 1 1/4"		
Standard cooling valve	G 3/8"		
Power supply	standard 3 x 380 - 415 V/50 Hz		



Tempo plus D L120

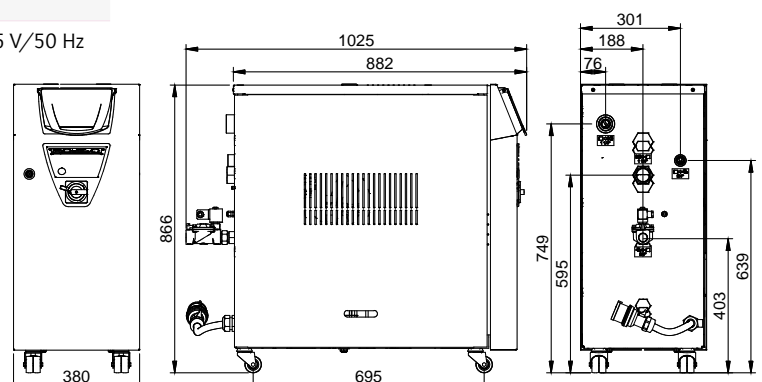
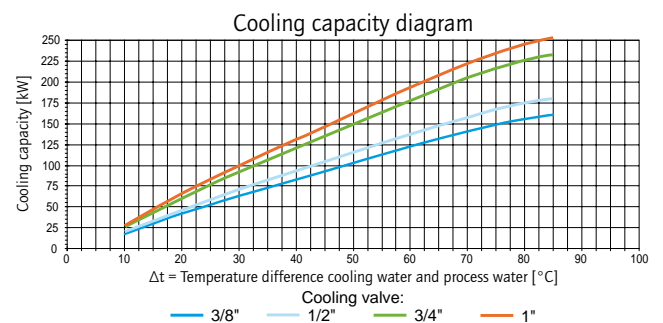
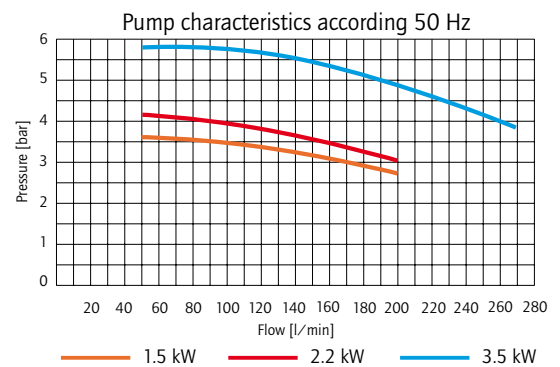
Wittmann

Tempo plus D L120 especially for large consumers, is equipped with radial pumps offering high volume flow rates for different pressure ranges. A series with high ease of use, touch-display and many possibilities for every application.

Equipment	
Tempo plus D L120	
Self-optimizing temperature control via microprocessor	•
Maximum temperature monitoring	•
Sensor break monitoring	•
Automator filling with pressure monitoring	•
Dry contact for alarm output	◦
Connector for external sensor PT 100	◦
Automated mold purging through pressurized air	◦
Enhanced pump	◦
5,7" TFT color touch display (full text display and protective cover)	•
Manometer in supply and return flow (glycerin)	•
Serial interface (RS 232, RS 485, 20 mA)	◦
Wittmann 4.0 interface	•
Analog Interface (4-20 mA / 0-10 V)	◦
Operating hour counter/Service monitoring	•
Horn	•
Pump pressure measuring and control	•
Option: cooling valve	◦
Thermomechanical safety limiter for shutting of the heating	•
Water supply filling valve for pressure decrease and water stop	•
Bypass including release valve for pump advance	•
Mold return flow safety valve (10 bar)	•
Flow measurement	◦

Technical data	
Tempo plus D L120	
Heating capacity	18 kW (opt. 24/36 kW)
Pump capacity (50 Hz) standard	1.5 kW 3.65 bar 200 l/min
Pump capacity (50 Hz) enhanced, optional	2.2 kW 4.2 bar 200 l/min 3.5 kW 5.9 bar 280 l/min
Cooling water connection	G 3/4"
Mold connection	G 1 1/4"
Standard cooling valve	G 3/8"
Power supply	standard 3 x 380 - 415 V/50 Hz

- Standard-equipment
- Optional equipment
- no supply for this model



Tempro plus D oil device

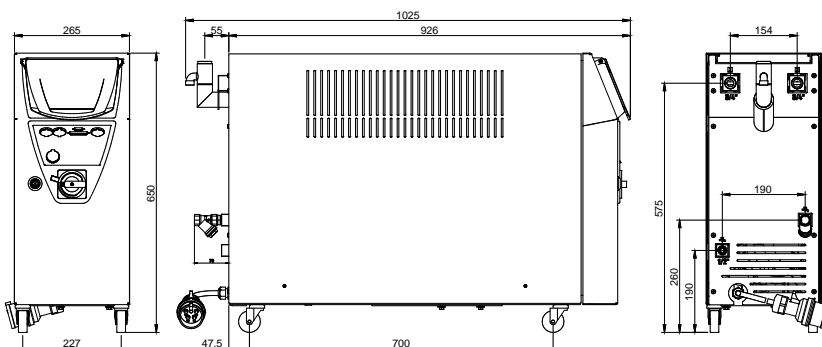
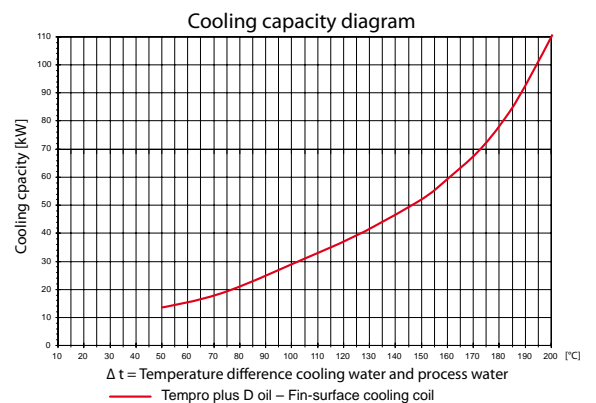
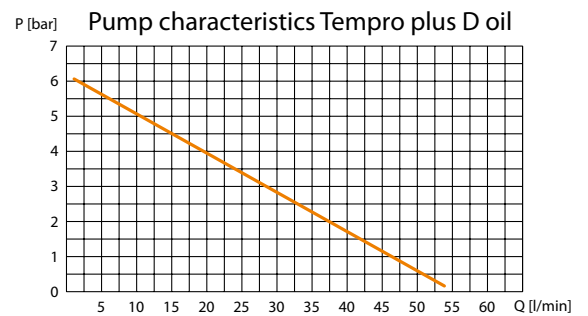
- » With thermo-oil up to 300 °C.
- » Precision control
Microprocessor controlled until ± 0.5 °C accuracy.
- » User-friendly touch-screen display
- » Double level control
Refill warning, automatic switch-off.
- » Process pressure gauges standard
- » Magnetically coupled pump without seal
- » Line evacuating for mold purge

Equipment		
Tempro plus D oil device	250	300
Self-optimizing temperature control via microprocessor (± 0.5 °C)	•	•
Maximum temperature monitoring	•	•
Automatic heater control (max. heating power 16 kW)	•	•
Process pressure gauges standard	•	•
Level control max./min. (message for refilling/safety switch off)	•	•
Safety temperature limiter	•	•
Cooling coil (fin-surface) made from nickel plated copper	•	•
Automatic pump rotation direction detection	•	•
Serial interface (RS 232, RS 485, 20 mA)	◦	◦
Wittmann 4.0 interface	•	•
Socket for external sensor PT 100	◦	◦
Socket for external mold sensor FeCo Type J	◦	◦
Magnetically coupled pump without seal	•	•
Automatic venting of system pressure	•	•
Mold purging via pump (max. 20 l)	•	•
Sensor break monitoring	•	•
Back flow sensor	•	•
Audible alarm	•	•
Dry contact for alarm output	◦	◦
Operating hour counter, indication of several intervals	•	•
Temperature-controlled colling water bypass	◦	•

Technical data	
Heating capacity	max. 16 kW
Pump capacity (50 Hz)	1 kW, max. 6 bar, max. 55 l/min
Pump capacity (50 Hz) enhanced, optional	2.2 kW SpeedDrive Pump max. 11 bar, max. 80 l/min
Cooling water connection	G 1/2"
Mold connection	G 3/4"
Power supply	standard 3 x 380 – 415 V/50 Hz



- Standard equipment
- Optional equipment



Tempro plus D L90

Wittmann

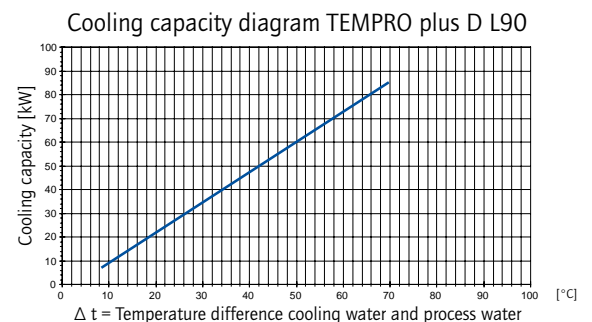
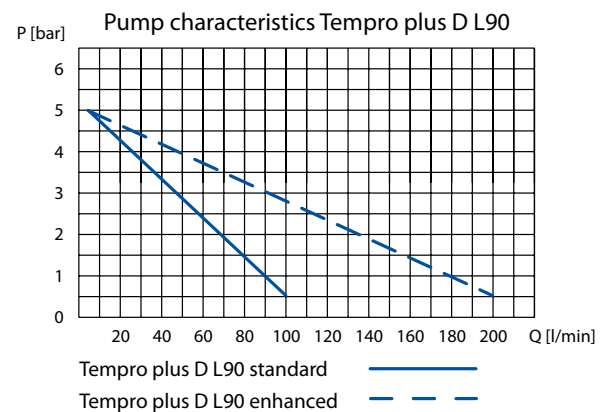
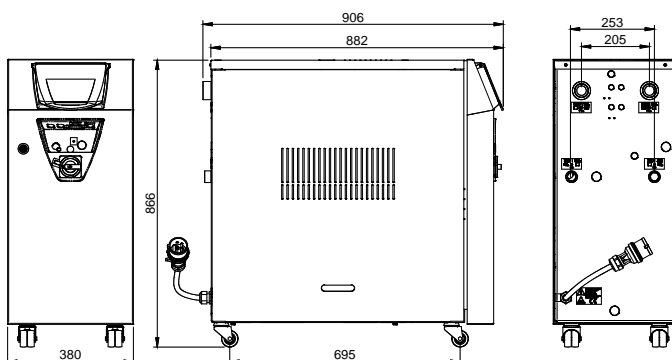
Water units

WITTMANN's **Tempro plus D L90** can heat up big molds within a short time to the required point. Besides the strong heater (36 kW) we have reinforced flow (up to 200 l/min) and cooling capacity. Purge out of molds is supported by an additional pump pumping the water to the return line or drain. Thus the purge volume is increased.

Equipment	
Tempro plus D L90	
Self-optimizing temperature control via microprocessor	•
Maximum temperature monitoring	•
Sensor break monitoring	•
Automatic filling with leakage monitoring and level control	•
Audible alarm	•
Dry contact for alarm output	◦
Connector for external sensors PT 100	◦
Connector for external mold sensor FeCo Type J	◦
Leakstop function	•
Mold purging via additional pump (unlimited)	•
Pressure gauge/flow indication	◦
Serial interface (RS 232, RS 485, 20 mA)	◦
Wittmann 4.0 interface	•
Operating hour counter/Service monitoring	•
Automatic pump rotation direction detection	•

- Standard equipment
- Optional equipment

Technical data	
Tempro plus D L90	
Heating capacity	18 kW (option: 36 kW)
Pump standard T1001-50/60 Hz	2.2 kW, max. 5 bar, max. 100 l/min
Pump enhanced T2001-50/60 Hz	2.8 kW, max. 5 bar max. 200 l/min 3.5 kW, max. 7.5 bar max. 200 l/min
Cooling water connection	G 3/4"
Mold connection	G 1 1/4"
Power supply	standard 3 x 380 - 415 V/50 Hz



The Wittmann logo is a stylized, italicized wordmark in a dark red color, set against a white background that is part of a red parallelogram shape.

WITTMANN Technology GmbH

Lichtblaustrasse 10

1220 Vienna | Austria

Tel.: +43 1 250 39-0

info.at@wittmann-group.com

www.wittmann-group.com